

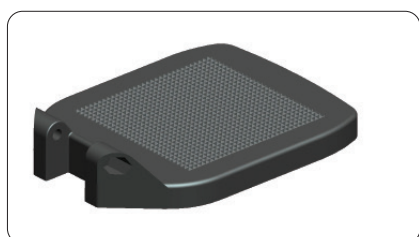
Footrests



Footrest in aluminium

- » Material: Aluminium
- » Incl. holes for heel band holder
- » 360 degree adjustable hinge - toothed system
- » For tubes Ø19-Ø20 mm and Ø24-Ø25 mm
- » Depth adjustable 35 mm

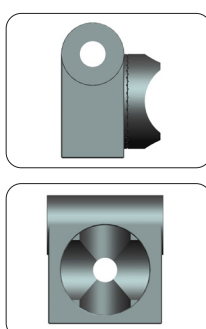
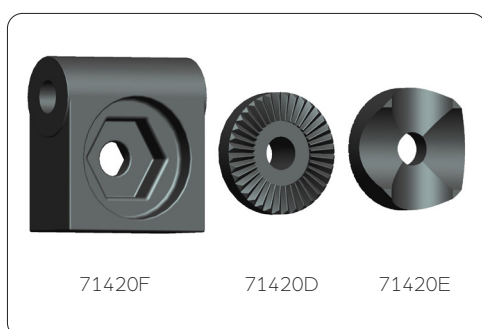
Description	Length mm	Width mm	Part. no. Set of footrests
Set of footrest (right and left), size 40-45 cm	194	120	R02983G



Footrest in plastic for right or left fitting – Type A

- » Material: PA + GF
- » Incl. holes for heel band holder

Description	Length mm	Width mm	Part. no.
Footrest without mounting set	120	160	7140J9
Footrest without mounting set	140	160	7140I9
Footrest without mounting set	150	160	714070
Footrest without mounting set	160	160	714071
Footrest without mounting set	170	160	714072
Footrest without mounting set	185	160	714073
Footrest without mounting set	200	160	714074
Footrest without mounting set	215	160	714075
Footrest without mounting set	230	160	714076



Toothed hinge set for Type A footrests

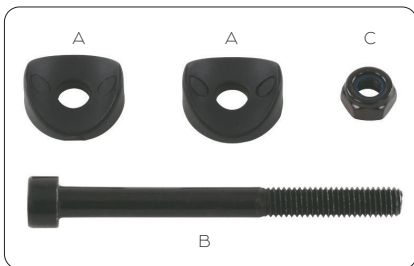
- » Toothed hinges for Type A footrests
- » Enables easy angle adjustment of footrests
- » Very strong and impact proof
- » Fit to Ø20 - Ø25mm tubes
- » Fit to almost all tube shapes



Footrest in plastic for right or left fitting – Type B

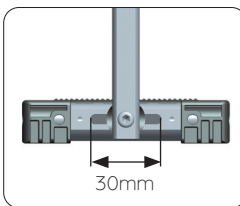
- » Material: PA + GF
- » Incl. holes for heel band holder
- » For Ø19 mm tubes
- » Other sizes can be made on request

Description	Length mm	Width mm	Part. no.
Footrest without mounting set	172	150	71405B
Footrest without mounting set	189	150	71405E
Footrest without mounting set	222	150	71405F



Fitting set for type B footrest

Type	Description	Part. no.
A	Steering washer for Ø19mm tube, black PA + GF	72100N
B	Bolt M6 x 65mm, black galvanized	71900A
C	Lock nut M6, black galvanized	19106C

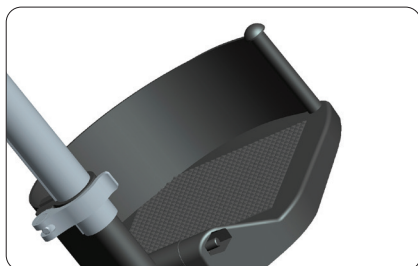


Complete footrest incl. adjustable fitting set but without tube Type C

- » Elegant footrest
- » Angle adjustable hinge-toothed system
- » Depth adjustable
- » Fit all common footrest tubes
- » Material: Black PA + GF
- » Tube is not included in the part no.
- » Incl. holes for heel band holder
- » 4 different sizes

Description	Length mm	Width mm	Part. no.
Footrest for right or left fitting (tube not included)	160	160	71410A
Footrest for right or left fitting (tube not included)	180	160	71410B
Footrest for right or left fitting (tube not included)	205	160	71410C
Footrest for right or left fitting (tube not included)	230	160	71410D

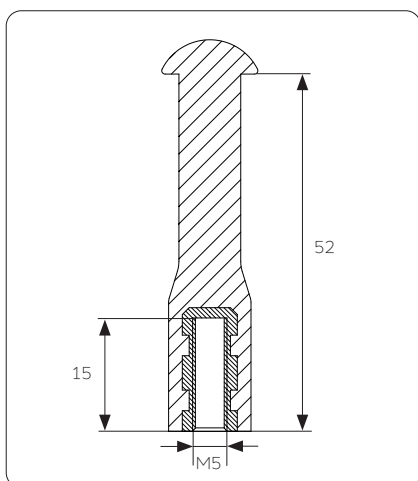
Accessories for footrests



Heel bands

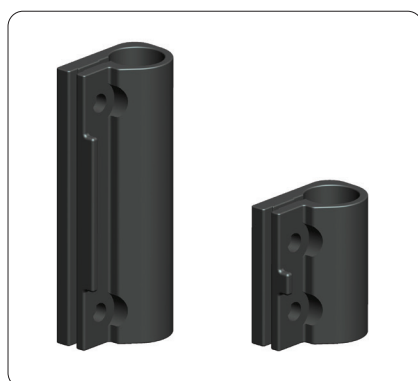
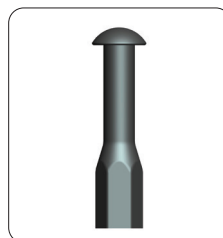
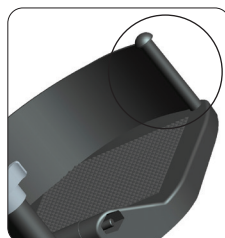
Description	Colour & Material	Part. no.
Heel band 50 mm x 355 mm	Black polyester	MI10BA
Heel band 50 mm x 385mm	Black polyester	MI10BB
Heel band 50 mm x 415mm	Black polyester	MI10BC

» Other lengths are available on request



Holder for heel band

Description	Material	Part. no.
Holder for heel band	PA + GF	71400S
Screw M5 x 16 for heel band holder	Black galvanized steel	19102F



Clamp for footrests

Description	Dimension	Fitting holes	Part. no.
Black anodized aluminium	ø19,2 x 50mm	2 x 6,8mm	714201
Black anodized aluminium	ø19,2 x 100mm	2 x 6,8mm	714202