






Transfer wheels

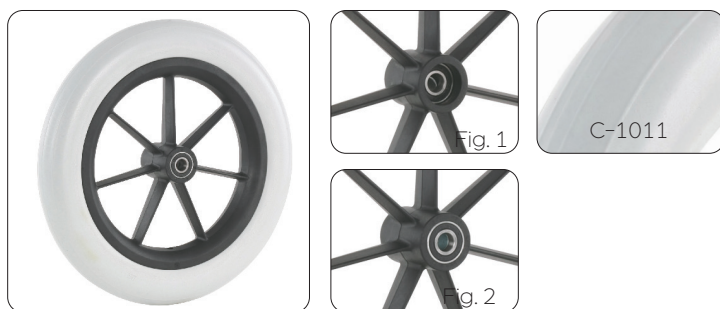
12"-16"



12 1/2" x 2 1/4" wheel with two options for grey pneumatic tyre with tube or Flexel






- » Fixed bolt or QR axle is available on request for fig.1
- » Please see product group 4 for other types of tyres

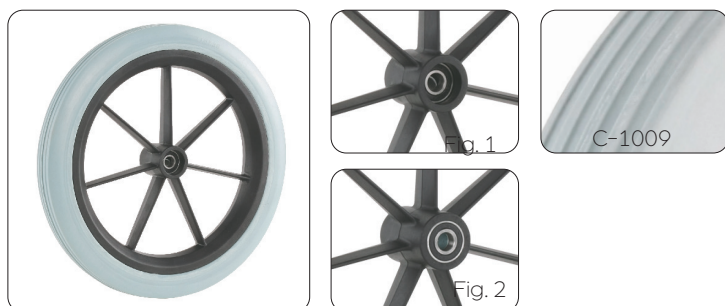
Tyre pattern	Figure	Description	 mm	 mm	 mm	 mm	 kg	Part no. pneumatic	Part no. Flexel®
IA 2601	1	Complete wheel with. off set hub	Ø305	37/48	ø12	47	50	161202	171202
IA 2601	2	Complete wheel with symmetric hub	Ø305	55	ø12	47	50	161204	171204
IA 2603	1	Complete wheel with. off set hub	Ø310	37/48	ø12	45	50	161206	171206
IA 2603	2	Complete wheel with symmetric hub	Ø310	55	ø12	45	50	161208	171208



12" wheel with grey or black polyurethane tyre

- » Wheel with off-set hub is available with fixed bolt or QR axle. Please state on order.
- » Black tyres available on request

Figure	Description	 mm	 mm	 mm	 mm	 kg	Part no. Grey	Part no. Black
1	Complete wheel with off-set hub	Ø300	37/48	ø12	45	50	151202	151202B
2	Complete wheel with symmetric hub	Ø300	55	ø12	45	50	151204	On request



12" lightweight wheel with grey or black polyurethane tyre

- » Wheel with off-set hub is available with fixed bolt or QR axle. Please state on order.
- » Black tyres available on request

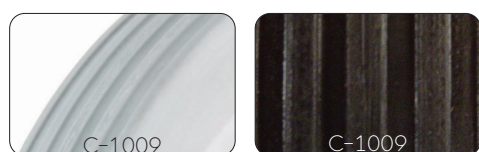
Figure	Description	mm	mm	mm	mm	kg	Part no. Grey	Part no. Black
1	Complete wheel with off-set hub excl. bolt	Ø315	37/48	ø12	39	50	151233	On request
2	Complete wheel with off-set hub incl. M12 bolt	Ø315	37/48	Ø1/2"	39	50	151244	On request



12" drum brake wheel with drumbrak, M12 fixed bolt and grey or black low polyurethane tyre

- » Quick-release axle or ø1/2" bolt is available on request
- » M12 x 47mm fixed bolt is standard
- » Pneumatic version on request

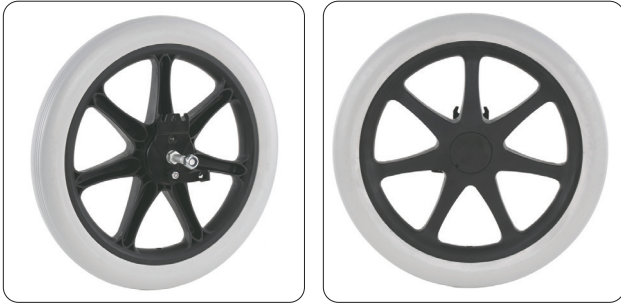
Description	mm	mm	mm	kg	g	Part no. Side A	Part no. Side B
Complete wheels incl. grey PU tyre C-1009	Ø315	39	M12	-	75	151255	151256
Complete wheels incl. black PU tyre C-1009	Ø315	39	M12	-	75	151267	151268



14" plastic wheel with black, smooth polyurethane tyre





- » Elegant black transfer wheel in black
- » Please see product group 4 for other types of tyre

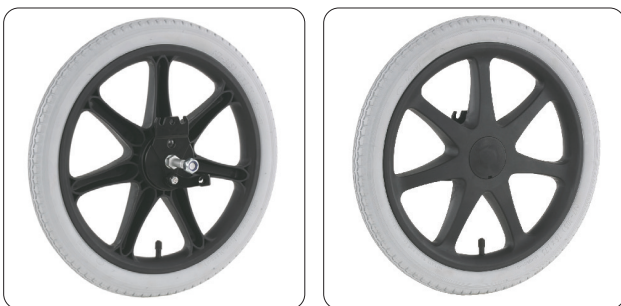
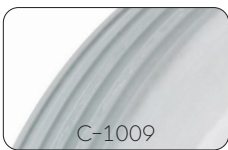
mm	mm	mm	kg	mm	g	Part no.
335	38	ø12	50	45	1050	11121A



16" drum brake wheel with M12 fixed bolt and grey or black polyurethane tyres.






- » M12 x 47mm fixed bolt is standard
- » Quick-release axle or Ø1/2" bolt is available on request
- » Please refer to product group 4 for other types of tyres

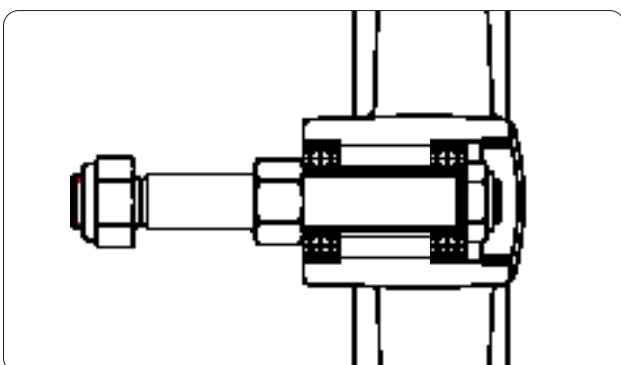
Description	 mm	 mm	 mm	 kg	Part no. Side A	Part no. Side B
Complete wheels incl. grey PU tyre C-1009	405	44	M12	75	151653	151654
Complete wheels incl. black PU tyre C-1009	405	44	M12	75	151632	151634



16" drum brake wheel with M12 fixed bolt and pneumatic tyre IA 2601 in grey

- » M12 x 47mm fixed bolt is standard
- » Quick-release axle or Ø1/2" bolt is available on request
- » Please refer to product group 4 for other types of tyres
- » Black tyre available of request

Description	 mm	 mm	 mm	 kg	 g	Part no. Side A	Part no. Side B
Complete wheels incl. grey A 2601	Ø395	400	47	-	-	161632	161634
Complete wheels incl. black A 2601	Ø395	400	47	-	-	161698	161699



Fixed axle bolt ø1/2" galvanized steel – standard on 12" and 16" wheels (not drum brake wheels)

Specifications	Part no.
M12/ø1/2" x 42 mm threaded spindle	642137

